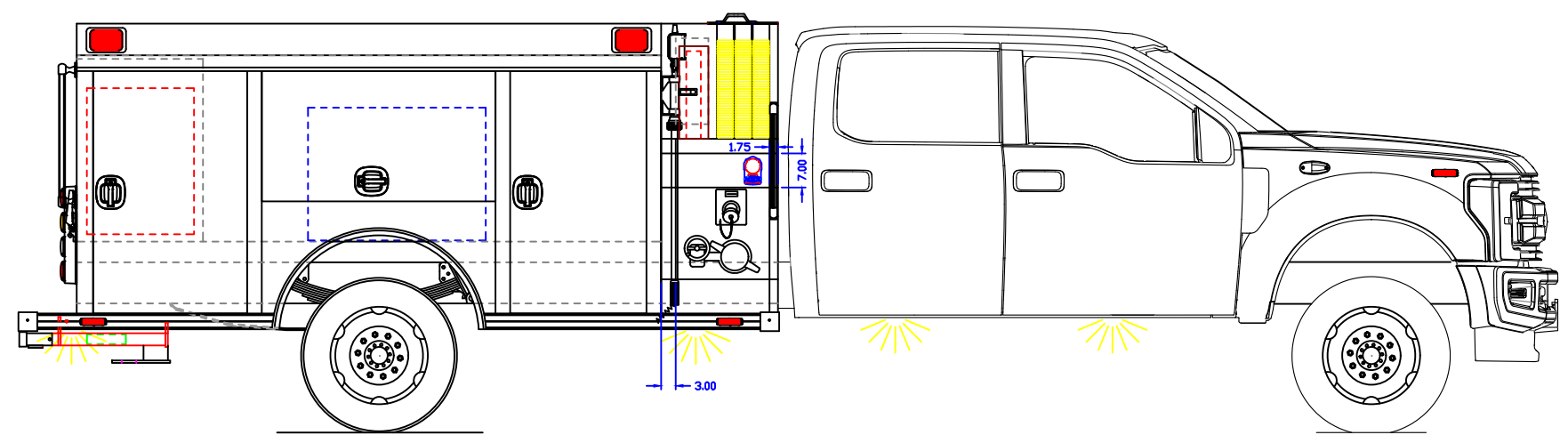
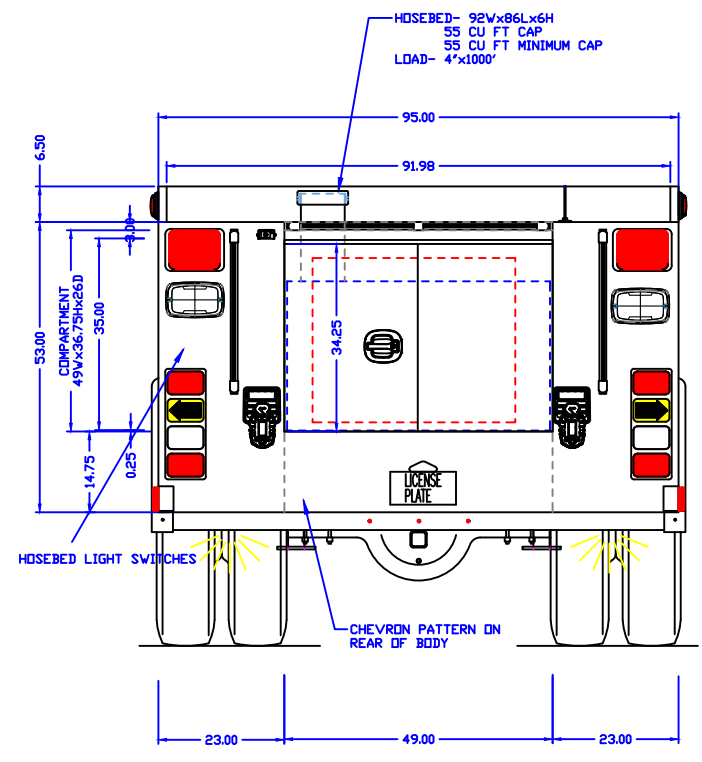
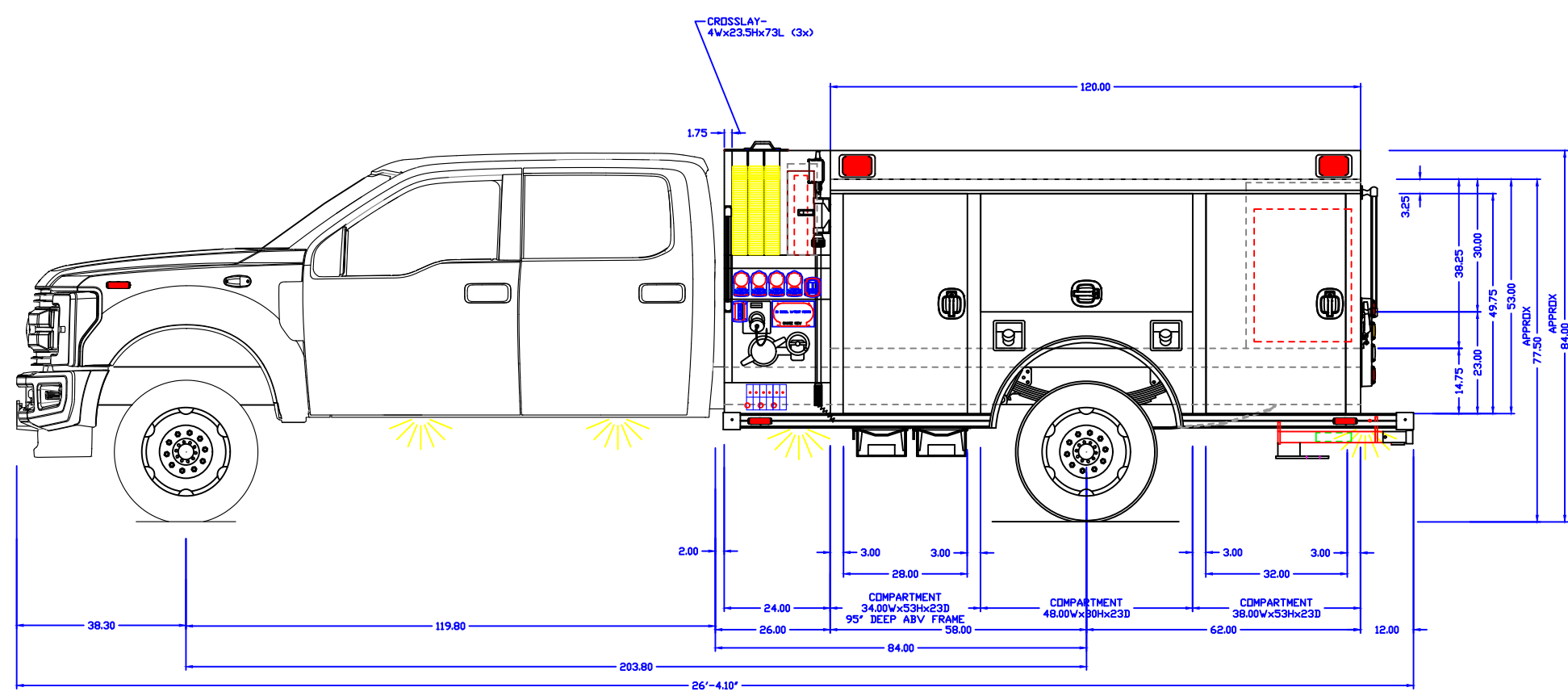


- NOTES:
1. OVERALL HEIGHT IS IN LOADED CONDITION. UNLOADED HEIGHTS MAY BE 4" ABOVE HEIGHTS SHOWN.
 2. DO NOT SCALE DRAWING.
 3. ALL DIMENSIONS ARE APPROXIMATE AND SUBJECT TO ENGINEERING CHANGES.
 4. DRAWING MAY OR MAY NOT SHOW ALL ITEMS AS DESCRIBED IN THE WRITTEN DETAIL SPECIFICATIONS.
 5. INCLUSION OF AN ITEM ON THE DRAWING DOES NOT CONSTITUTE INCLUSION OF THAT ITEM WITH THE FINAL DELIVERED UNIT.
 6. THE EFFECTIVE DOOR OPENINGS WILL BE APPROX. 2" LESS THAN THE NOTED COMPARTMENT OPENING FOR ROLL UP DOORS AND UP TO APPROX. 4" LESS FOR HINGED DOORS



INITIALS: EH
 JOB NUMBER: 31026-33
 DATE: 5/30/2023

MAIN FILE: -
 DEPT: -
 DEALER: -

PRODUCTION APPROVED

APPROVED BY:	
CHASSIS:	FORD
PUMP:	NA
TANK:	POLY/160
PANEL MATL:	LINE X
COMP INTERIOR:	LINE X

REVISED: MJ	DATE: 10/11/21
REVISED: MJ	DATE: 10/6/21
REVISED: MJ	DATE: 09/30/21
DRAWN: MJ	DATE: 07/16/21

PROPRIETARY AND CONFIDENTIAL
 THE INFORMATION CONTAINED IN THIS DRAWING IS
 THE SOLE PROPERTY OF ROSENBAUER. ANY
 REPRODUCTION IN PART OR AS A WHOLE WITHOUT
 THE WRITTEN PERMISSION OF ROSENBAUER IS
 PROHIBITED.

MAXIMUM HEIGHT	7'
MAXIMUM LENGTH	NONE
BODY WIDTH	95"

NASHVILLE FIRE DEPARTMENT, TN



ROSENBAUER MINI 3/16"
 DRAWING NUMBER: nashville, tn3
 REV: -